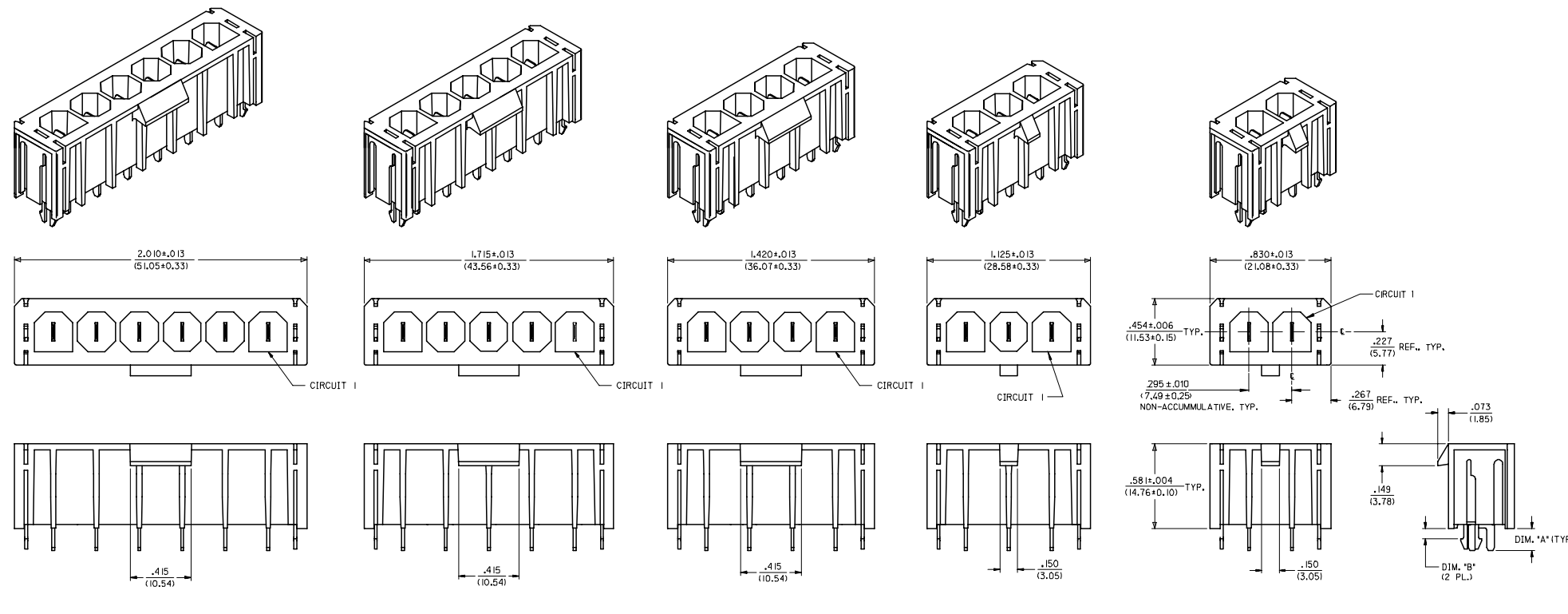


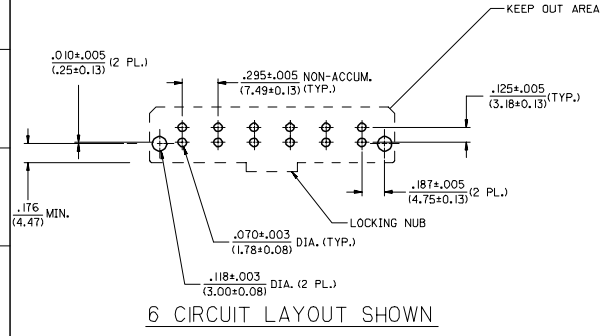
20 19 18 17 16 15 14 13 12 11 10 9 8 7 6 5 4 3 2 1



SEE SHEET 2 AND 3 FOR ITEM NUMBER CHART

RECOMMENDED P.C. BOARD LAYOUT FOR VERTICAL HEADERS

SCALE 2:1



6 CIRCUIT LAYOUT SHOWN

NOTES:

- INSULATOR MATERIAL (SEE CHART):
 A = 30* GLASS FILLED 46 NYLON, 94V-0, COLOR: BLACK.
 B = UNFILLED 66 NYLON, 94V-2, COLOR: NATURAL (TRANSLUCENT).
 NOTE: HEADER ASSEMBLIES IN 94V-2, 66 NYLON, ARE ONLY APPROVED FOR WAVE SOLDERING PROCESSES.
 TERMINAL MATERIAL: C26000 BRASS
- TERMINAL FINISH: 35 MICRONCH (0.88 MICROMETER) MINIMUM TIN OVER 20 MICRONCH (0.50 MICROMETER) MINIMUM COPPER.
 * THE PRIMARY SHIPPING CARTON WILL BE LABELED "COMPLIANT TO ROHS DIRECTIVE 2002/95/EC AND ELV ANNEX II OF DIRECTIVE 2000/53/EC." CARTONS WITHOUT THIS LABEL MAY CONTAIN PRODUCT WITH TIN-LEAD IN THE PC TAILS.
- PRODUCT SPECIFICATION: PSX-44441-9999.
- PACKAGING: SEE CHART.
- THESE HEADERS MATE WITH 43179, 43355, OR 44441 RECEPTACLE HOUSINGS.
- SEE SHEETS 1, 2 AND 3, FOR VERTICAL HEADER ASSEMBLIES AND THEIR RESPECTIVE PART NUMBERS.
- SEE SHEETS 4, 5 AND 6, FOR RIGHT ANGLE HEADER ASSEMBLIES AND THEIR RESPECTIVE PART NUMBERS.
- DIMENSIONS ARE FOR REFERENCE ONLY, UNLESS INDICATED OTHERWISE.

SOLDER TAIL	DIM. "A" ±.020/(0.51)
SHORT	.150/(3.81)
LONG	.210/(5.33)

BOARD LOCK	DIM. "B" ±.004/(0.15)
.062	.070/(1.78)
.094	.102/(2.59)
.125	.133/(3.38)

6	HI
5	H
4	HI
3	H
2	H
1	HI
SHT. REV.	

ADD CTR/CTR FOR 2 CKT EC NO: UCP2007-0489 DRW/STENART 2006/08/29 CHK/DBW/RKUS 2006/08/31 APPR/BN/RKUS 2006/08/31	QUALITY SYMBOLS ▽=0 ▽=0	GENERAL TOLERANCES (UNLESS SPECIFIED) mm INCH 4 PLACES ±.--- ±.--- 3 PLACES ±.--- ±.005 2 PLACES ±.013 ±.01 1 PLACE ±.025 ±.--- ANGULAR ±1/2°		DIMENSION STYLE IN/MM DRAWN BY DATE GC 11/30/95 CHECKED BY DATE KBP 11/30/95 APPROVED BY DATE RAS 11/30/95		SCALE 3:1	DESIGN UNITS INCH	THIRD ANGLE PROJECTION	
		DRAFT WHERE APPLICABLE MUST REMAIN WITHIN DIMENSIONS		SEE CHART		MATERIAL NO. DOCUMENT NO. SDA-43160-****		SHEET NO. 1 OF 6	
		THIS DRAWING CONTAINS INFORMATION THAT IS PROPRIETARY TO MOLEX INCORPORATED AND SHOULD NOT BE USED WITHOUT WRITTEN PERMISSION							
		MOLEX INCORPORATED SABRE HEADER, ASSY VERTICAL, 2-6 & 8 CIR. .125/(3.18)X .020/(0.51)							

VERTICAL HEADER ASSEMBLY ITEM NO.	PART CHARACTERISTICS FOR VERTICAL HEADER				PACKAGING SPECIFICATIONS	VERTICAL HEADER ASSEMBLY ITEM NO.	PART CHARACTERISTICS FOR VERTICAL HEADER				PACKAGING SPECIFICATIONS	VERTICAL HEADER ASSEMBLY ITEM NO.	PART CHARACTERISTICS FOR VERTICAL HEADER				PACKAGING SPECIFICATIONS
	CIRCUIT SIZE	HSG. MAT'L (SEE NOTE 1)	SOLDER TAIL	BOARD LOCK			CIRCUIT SIZE	HSG. MAT'L (SEE NOTE 1)	SOLDER TAIL	BOARD LOCK			CIRCUIT SIZE	HSG. MAT'L (SEE NOTE 1)	SOLDER TAIL	BOARD LOCK	
43160-0102	2	A	SHORT	N/A	PK-43160-0010	43160-0104	4	A	SHORT	N/A	PK-43160-0010	43160-0106	6	A	SHORT	N/A	PK-43160-0010
43160-0202	2	B	SHORT	N/A	PK-43160-0010	43160-0204	4	B	SHORT	N/A	PK-43160-0010	43160-0206	6	B	SHORT	N/A	PK-43160-0010
43160-0302	2	A	LONG	N/A	PK-43789-001	43160-0304	4	A	LONG	N/A	PK-43789-001	43160-0306	6	A	LONG	N/A	PK-43789-001
43160-0402	2	B	LONG	N/A	PK-43789-001	43160-0404	4	B	LONG	N/A	PK-43789-001	43160-0406	6	B	LONG	N/A	PK-43789-001
43160-2102	2	A	SHORT	.062	PK-43789-001	43160-2104	4	A	SHORT	.062	PK-43789-001	43160-2106	6	A	SHORT	.062	PK-43789-001
43160-2202	2	B	SHORT	.062	PK-43789-001	43160-2204	4	B	SHORT	.062	PK-43789-001	43160-2206	6	B	SHORT	.062	PK-43789-001
43160-4102	2	A	SHORT	.094	PK-43789-001	43160-4104	4	A	SHORT	.094	PK-43789-001	43160-4106	6	A	SHORT	.094	PK-43789-001
43160-4202	2	B	SHORT	.094	PK-43789-001	43160-4204	4	B	SHORT	.094	PK-43789-001	43160-4206	6	B	SHORT	.094	PK-43789-001
43160-4302	2	A	LONG	.094	PK-43789-001	43160-4304	4	A	LONG	.094	PK-43789-001	43160-4306	6	A	LONG	.094	PK-43789-001
43160-4402	2	B	LONG	.094	PK-43789-001	43160-4404	4	B	LONG	.094	PK-43789-001	43160-4406	6	B	LONG	.094	PK-43789-001
43160-6302	2	A	LONG	.125	PK-43789-001	43160-6304	4	A	LONG	.125	PK-43789-001	43160-6306	6	A	LONG	.125	PK-43789-001
43160-6402	2	B	LONG	.125	PK-43789-001	43160-6404	4	B	LONG	.125	PK-43789-001	43160-6406	6	B	LONG	.125	PK-43789-001
43160-0103	3	A	SHORT	N/A	PK-43160-0010	43160-0105	5	A	SHORT	N/A	PK-43160-0010	43160-0107	7	A	SHORT	N/A	PK-43160-0010
43160-0203	3	B	SHORT	N/A	PK-43160-0010	43160-0205	5	B	SHORT	N/A	PK-43160-0010	43160-0207	7	B	SHORT	N/A	PK-43160-0010
43160-0303	3	A	LONG	N/A	PK-43789-001	43160-0305	5	A	LONG	N/A	PK-43789-001	43160-0307	7	A	LONG	N/A	PK-43789-001
43160-0403	3	B	LONG	N/A	PK-43789-001	43160-0405	5	B	LONG	N/A	PK-43789-001	43160-0407	7	B	LONG	N/A	PK-43789-001
43160-2103	3	A	SHORT	.062	PK-43789-001	43160-2105	5	A	SHORT	.062	PK-43789-001	43160-2107	7	A	SHORT	.062	PK-43789-001
43160-2203	3	B	SHORT	.062	PK-43789-001	43160-2205	5	B	SHORT	.062	PK-43789-001	43160-2207	7	B	SHORT	.062	PK-43789-001
43160-4103	3	A	SHORT	.094	PK-43789-001	43160-4105	5	A	SHORT	.094	PK-43789-001	43160-4107	7	A	SHORT	.094	PK-43789-001
43160-4203	3	B	SHORT	.094	PK-43789-001	43160-4205	5	B	SHORT	.094	PK-43789-001	43160-4207	7	B	SHORT	.094	PK-43789-001
43160-4303	3	A	LONG	.094	PK-43789-001	43160-4305	5	A	LONG	.094	PK-43789-001	43160-4307	7	A	LONG	.094	PK-43789-001
43160-4403	3	B	LONG	.094	PK-43789-001	43160-4405	5	B	LONG	.094	PK-43789-001	43160-4407	7	B	LONG	.094	PK-43789-001
43160-6303	3	A	LONG	.125	PK-43789-001	43160-6305	5	A	LONG	.125	PK-43789-001	43160-6307	7	A	LONG	.125	PK-43789-001
43160-6403	3	B	LONG	.125	PK-43789-001	43160-6405	5	B	LONG	.125	PK-43789-001	43160-6407	7	B	LONG	.125	PK-43789-001

SEE SHEET ONE EC NO: UCP2006-2184 H DRINKSTENART 2004/03/17 CHKCBM/RKUS 2004/03/28 APPR:BM/RKUS 2004/03/29	QUALITY SYMBOLS	GENERAL TOLERANCES (UNLESS SPECIFIED)	DIMENSION STYLE	SCALE	DESIGN UNITS	THIRD ANGLE PROJECTION												
	$\nabla=0$ $\nabla=0$	<table border="1"> <tr><th>mm</th><th>INCH</th></tr> <tr><td>4 PLACES ± .005</td><td>± .005</td></tr> <tr><td>3 PLACES ± .005</td><td>± .005</td></tr> <tr><td>2 PLACES ± 0.13</td><td>± .01</td></tr> <tr><td>1 PLACE ± 0.25</td><td>± .01</td></tr> <tr><td>ANGULAR</td><td>± 1/2°</td></tr> </table>	mm	INCH	4 PLACES ± .005	± .005	3 PLACES ± .005	± .005	2 PLACES ± 0.13	± .01	1 PLACE ± 0.25	± .01	ANGULAR	± 1/2°	IN/MM	1:1	INCH	<input checked="" type="checkbox"/> THIRD ANGLE PROJECTION
	mm	INCH																
	4 PLACES ± .005	± .005																
3 PLACES ± .005	± .005																	
2 PLACES ± 0.13	± .01																	
1 PLACE ± 0.25	± .01																	
ANGULAR	± 1/2°																	
DESCRIPTION	<table border="1"> <tr><th>DRAWN BY</th><th>DATE</th></tr> <tr><td>GC</td><td>11/30/95</td></tr> <tr><th>CHECKED BY</th><th>DATE</th></tr> <tr><td>KBP</td><td>11/30/95</td></tr> <tr><th>APPROVED BY</th><th>DATE</th></tr> <tr><td>RAS</td><td>11/30/95</td></tr> </table>	DRAWN BY	DATE	GC	11/30/95	CHECKED BY	DATE	KBP	11/30/95	APPROVED BY	DATE	RAS	11/30/95	TITLE	SABRE HEADER ASSY VERTICAL, 2-6 & 8 CIR.			
DRAWN BY	DATE																	
GC	11/30/95																	
CHECKED BY	DATE																	
KBP	11/30/95																	
APPROVED BY	DATE																	
RAS	11/30/95																	
REV	MATERIAL NO.	DOCUMENT NO.	MOLEX INCORPORATED		SHEET NO.													
	SEE CHART	SDA-43160-****			2 OF 6													
	DRAFT WHERE APPLICABLE MUST REMAIN WITHIN DIMENSIONS																	
	THIS DRAWING CONTAINS INFORMATION THAT IS PROPRIETARY TO MOLEX INCORPORATED AND SHOULD NOT BE USED WITHOUT WRITTEN PERMISSION																	